

GHG-JHM16 Soft Close Damper Hinge

Features

- Built-in damper provides soft close motion and keeps lid from slamming shut
- Smooth movement in the opening direction
- Mortise mount type
- Easy to cut out with a router
- Cover hides mounting screws for clean appearance
- Passed 13,000 life cycle test

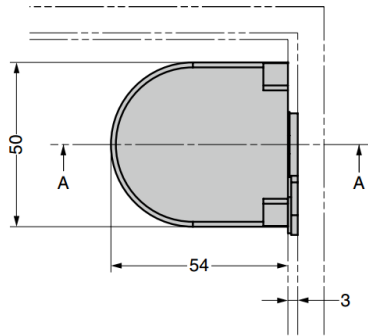
Notes

- Sold in pairs
- Ensure both hinge shafts are levelled and aligned during installation
- Damper mechanism works when opening the lid by about 60° or more

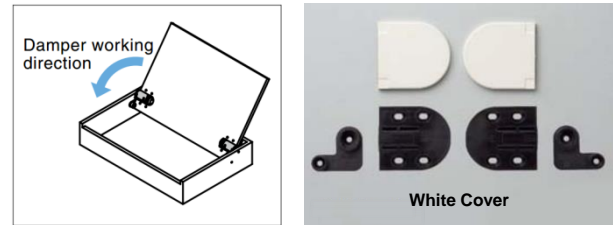
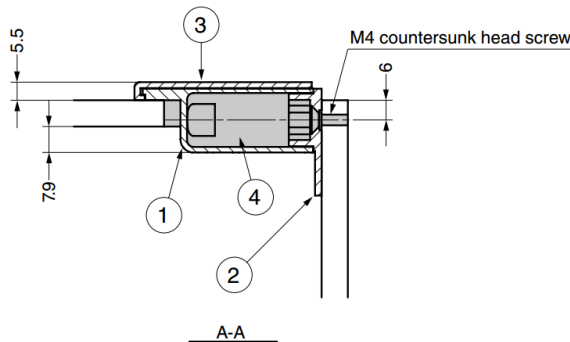
Parts Included

- Countersunk head tapping screw 4x20 (for wooden door)

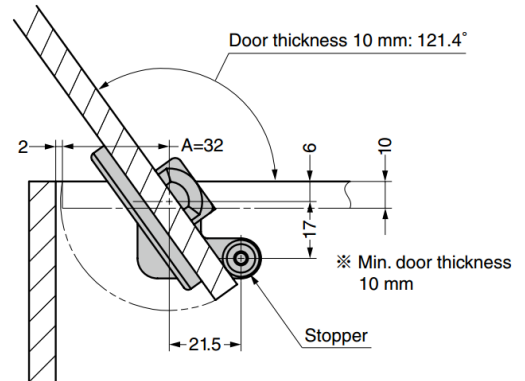
Top View



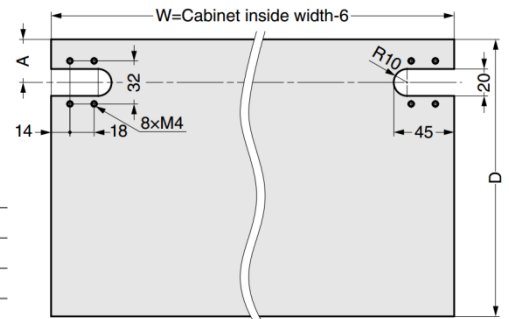
Cross-section Drawing



Installation



Cut Out Dimensions



No.	Part Name	Material	Finish / Colour
①	Body	POM	Black
②	Bracket	Aluminium Alloy (ADC)	Black Enamel Finish
③	Cover	ABS	Black/White
④	Damper	-	-

Part No.	Colour	Marking Colour (Base Side)	Torque (per pair)	
GHG-JHM16-34BL	Black	Green	2 ~ 3.4 N.m	20.4 ~ 34.7 kgf.cm
GHG-JHM16-34WT	White			
GHG-JHM16-50BL	Black	Black	3.4 ~ 5 N.m	34.7 ~ 51.0 kgf.cm
GHG-JHM16-50WT	White			